

# CANAL

## ADAPTIVE ELECTRONIC GENERATOR



### Success within the first years for a Pacific Northwest tugboat company.

- Thousands of hours of operation.
- Tens of thousands of gallons diesel saved.
- Over 100T CO2 emissions reduced.
- Generator maintenance reduced.
- No generator noise = a happier crew!

“

CANAL is proud to offer our clients customized solutions to help transition their operations from traditional energy consumption to low or zero- emission options. We hope to provide answers and solutions to industry in this direction, and help clients meet their greenhouse gas and cost reduction targets. ”

Shawn Balding, CANAL General Manager

#### Western Towboat Co.

#### OCEAN TITAN

TYPE OF VESSEL: Tow/Work Boat

BUILT: 2004

CANAL SERVICE DATE: 2018

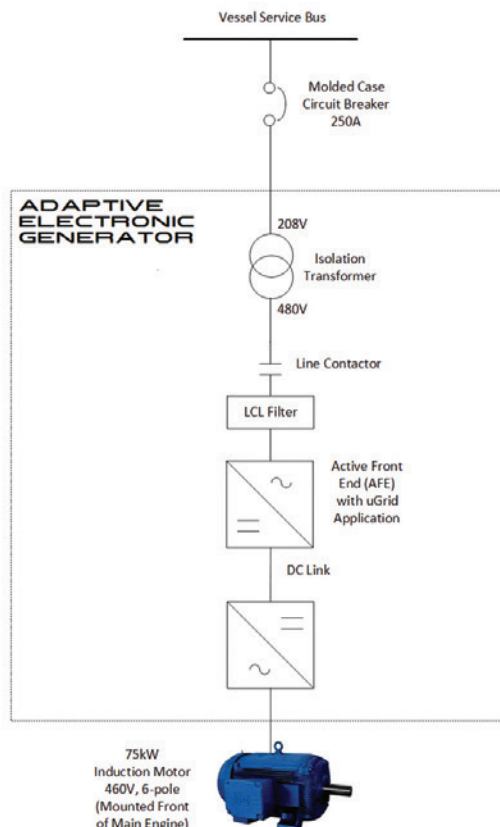
#### Scope of work:

- Design, supply, install Adaptive Electronic Generator (AEG)
- Produced regulated 3-phase AC power from the propulsion shaft
- Ongoing maintenance and service



# ADAPTIVE ELECTRONIC GENERATOR

- A variable speed shaft generator solution.
- Produce regulated 3-phase AC power from the propulsion shaft. RPM can be anything from main engine idle to maximum speed.
- Synchronize, connect in parallel, and load share with other AEGs and diesel generators.
- Perform blackout recovery.
- Retrofit AEGs to reduce reliance on diesel generators, or install AEGs on new-builds to displace diesel generators.
- Scalable from 30kW to 3MW.



## CANAL

Canal provides services to government, industrial, commercial and marine clients in Canada from our headquarters in St. Catharines, Ontario and our location in North Vancouver, British Columbia.

Visit [www.canal.ca](http://www.canal.ca) to learn more.

### 24/7 EMERGENCY SERVICE:

PHONE: 1-905-685-9293  
EMAIL: [service@canal.ca](mailto:service@canal.ca)  
TOLL FREE: 1-844-814-0620

155 Cushman Road,  
St. Catharines, Ontario  
L2M 6T4 Canada

245 Fell Ave, Unit 108  
North Vancouver,  
British Columbia  
V7P 2K1 Canada